

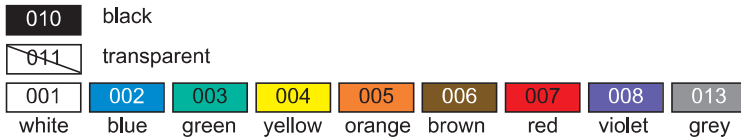


PLIO-PVC

Material: PVC
Operating temperatures: -25 to +75°C
Hardness Shore A: 70 +/- 5
Ultimate elongation: 350%
Dielectric strength: >20 kV/mm
Flame resistance: HB UL94



Standard colours:



Example for order:

code group	detail article	code colours
01050	XXXXX	XXXXX

type	black	transparent	colours	for clips	cable Ø mm	length of the boot mm	
	010	011	xxx				
for female push-on-terminals (right)							
B-3 PVC	0105 0007 010	0105 0007 011	0105 0007 ***	2,8	2,8	5,5	500
B-4 PVC	0105 0022 010	0105 0022 011	0105 0022 ***	4,8	3,2	7	500
B-5 PVC	0105 0003 010	0105 0003 011	0105 0003 ***	5 AMP	4,5	8	500
B-6 PVC	0105 0001 010	0105 0001 011	0105 0001 ***	6,3	3,6	8	500
BL-6 PVC	0105 0010 010	0105 0010 011	-	6,3	3,2	11	500
BK-6 PVC	0105 0011 010	0105 0011 011	-	6,3	3,2	6	500
B-PVC	0105 0004 010	0105 0004 011	0105 0004 ***	6,3	4	8	500
BM-6 PVC	0105 0012 010	0105 0012 011	-	6,3	5	11	500
BN-6 PVC	0105 0014 010	0105 0014 011	-	6,3	5	9	500
for male push-on-terminals (right)							
BW-6 PVC	0105 0002 010	0105 0002 011	0105 0002 ***	6,3	3,6	5,5	500
BF-6 PVC	0105 0023 010	0105 0023 011	0105 0023 ***	6,3	3,6	11	500
for female flag push-on-terminals							
BE-6 PVC	0105 0005 010	0105 0005 011	0105 0005 ***	6,3	3,6	13,7	500

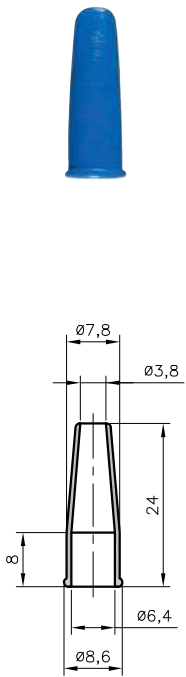


B10/4 - Printed boots

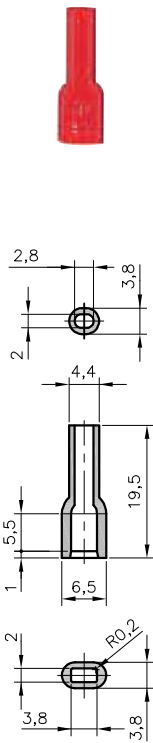


D6/3-02 - Clips

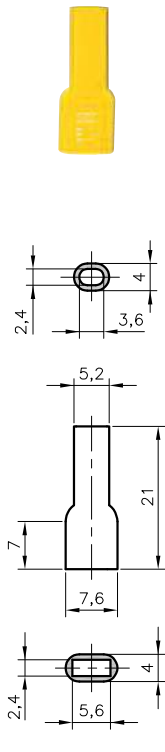




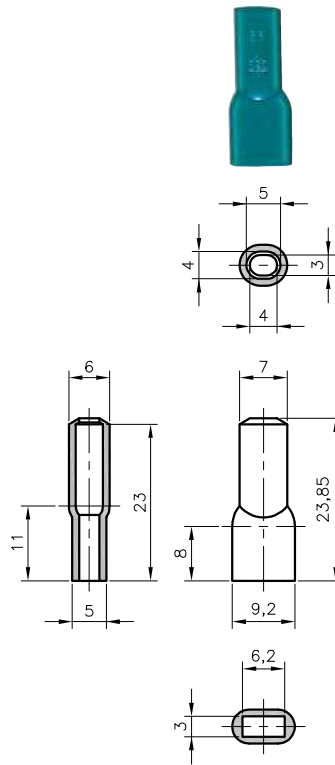
B
0105 0004 xxx



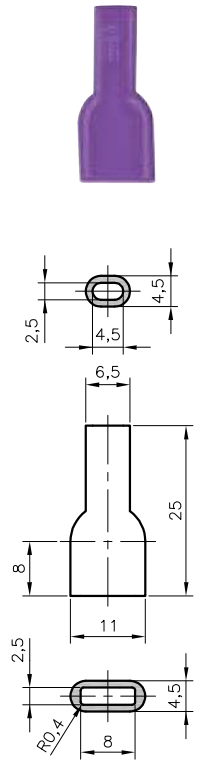
B-3
0105 0007 xxx



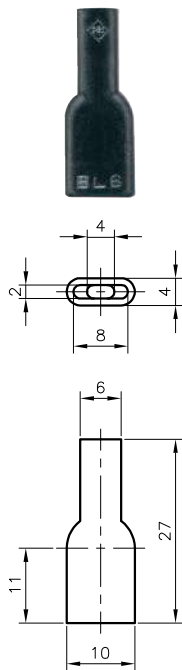
B-4
0105 0022 xxx



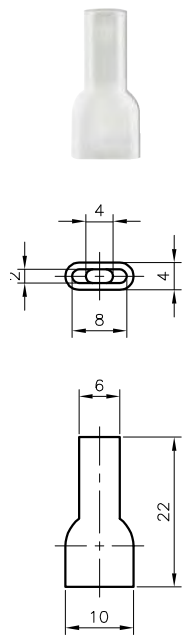
B-5
0105 0003 xxx



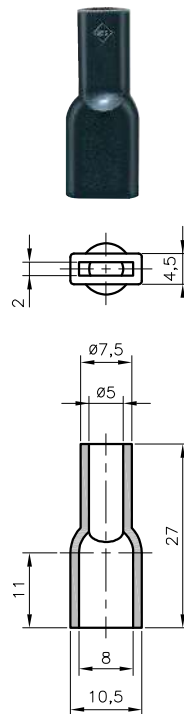
B-6
0105 0001 xxx



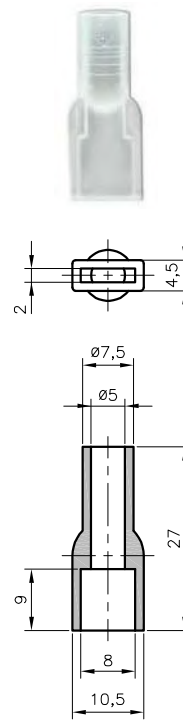
BL-6
0105 0010 xxx



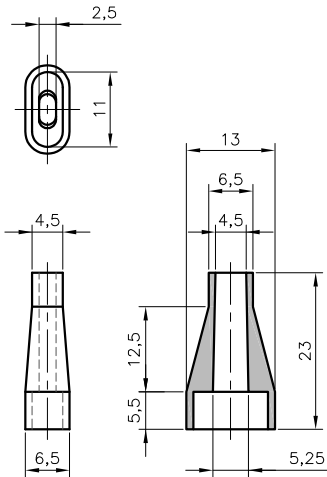
BK-6
0105 0011 xxx



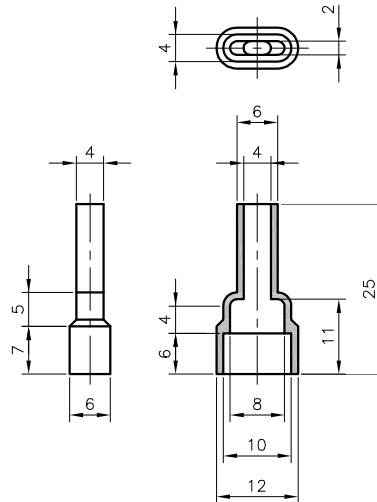
BM-6
0105 0012 xxx



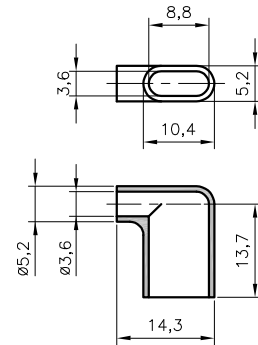
BN-6
0105 0014 xxx



BW-6
0105 0002 xxx



BF-6
0105 0023 xxx



BE-6
0105 0005 xxx



PLIO

Materials:	PE	PA 6	PA 6.6	PP
Colours:	natural	natural	natural	natural or black
Operating temperatures:	-50 to +55°C	-20 to +70°C	-40 to +110°C	-20 à +65°C
Ultimate elongation:	500%	>50%	300%	>150%
Dielectric strength:	-	60 kV/mm	26 kV/mm	50kV/mm
Flame resistance:	-	V2 UL94	V2 UL94	-



type	article number	article number	for clips mm	cable Ø mm	length of the boot mm	 pcs
	black 010	natural 018				

Terminale boots for straight female clips

	PP	PE	PA6	PA6.6	PP				
BP-3	-	0105 0020 018	0105 0021 018	-	-	2,8	2,5	7,5	500
BP-6	-	0105 0008 018	0105 0009 018	-	-	6,3	-	9,5	500

Removable caps for female clips flags - assembly after crimping

	PP	PE	PA6	PA6.6	PP				
BXC-4	-	-	-	0105 0031 018	-	4,8	3,2	6,1	500
BX-6	0105 0018 010	0105 0017 018	-	0105 0016 018	-	6,3	3,2	11	500
BXC-6	0105 0026 010	0105 0024 018	-	0105 0025 018	0105 0026 018	6,3	3,2	8,5	500



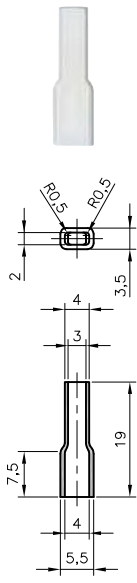
B10/4 - Printed boots

231

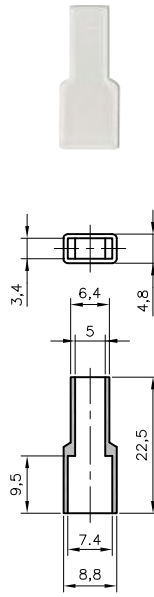
D6/3-02 - Clips



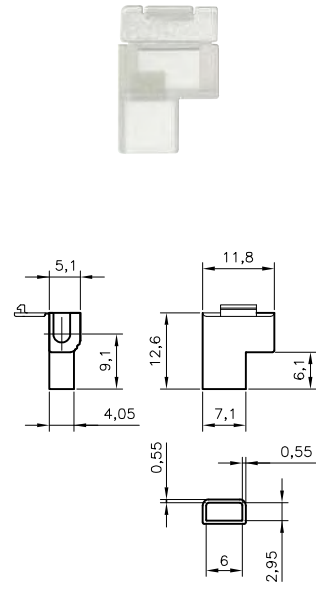
PLIO® standard terminal boots
for special use



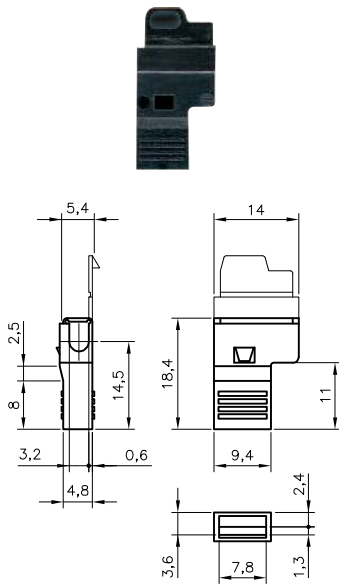
BP-3
0105 0020 018
0105 0021 018



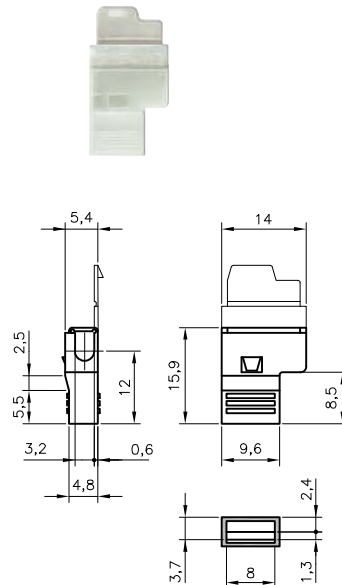
BP-6
0105 0008 018
0105 0009 018



BXC-4
0105 0031 018



BX-6
0105 0016 018
0105 0017 018
0105 0018 010



BXC-6
0105 0024 018
0105 0025 018
0105 0026 xxx

PLIO® standard terminal boots BA for application after crimping



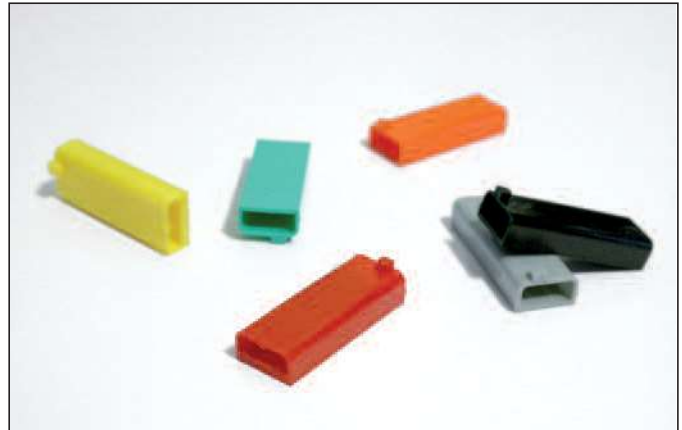
PLIO®



PLIO BA

Material: polypropylene
Operating temperatures: -25 to +90°C (+120°C short time)
Ultimate elongation: 30%
Dielectric strength: >20 kV/mm

Application: our PLIO-BA boots can be applied over precrimped terminals, therefore they can be used with confidence on automatic application machines.




Standard colours:

001	002	003	004	005	006	007	010	013	015	017
white	blue	green	yellow	orange	brown	red	black	grey	pink	lila


Example for order:

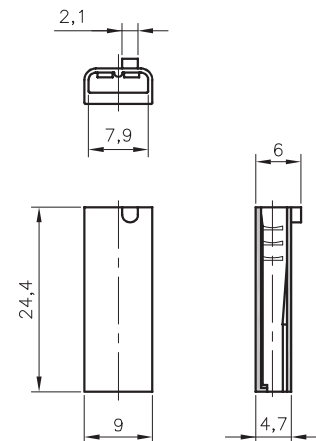
code group	detail article	code colour
0651	0001	xxx

type	article number	for dips mm	cable Ø mm	
BA-6 PP	0651 0001 ***	6,3	3,2	500

Standard colour:

018
natur

type	article number	for dips mm	cable Ø mm	
BA-6 PP nat.	0651 0002 018	6,3	3,2	500



Assembly instruction

